

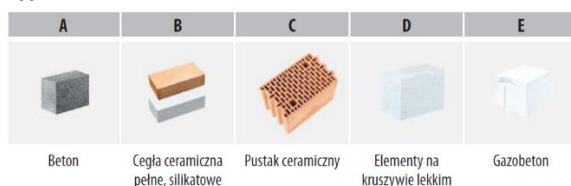
Section 1. PRODUCT DESCRIPTION

HAMMER DRIVEN FASTENER WITH PLAIN METAL PIN AND EXTENDED EXPANSION ZONE – LFMG-10

Hammer driven fastener with plain metal pin and extended expansion zone LFMG-10 is made from polyethylene, and the pin from galvanized steel, with the head sealed in polyamide which reduces spot thermal conductivity of the fastener. Fastener LFMG-10 should be used to transfer loads of wind suction forces and applied as an additional mechanical fixing for the whole system, recommended for:

- EPS polystyrene
- XPS polystyrene
- mineral wool (with support washer TDX-90 and TDX-140)
- mineral wool lamella board (with support washer TDX-90 and TDX-140)

Types of substrates on which fastener LFMG-10 can be installed according to ETAG 014:



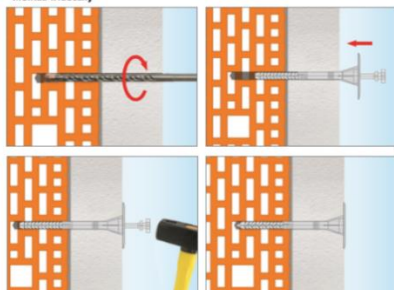
Fasteners hold European Technical Assessment: ETA-17/0450



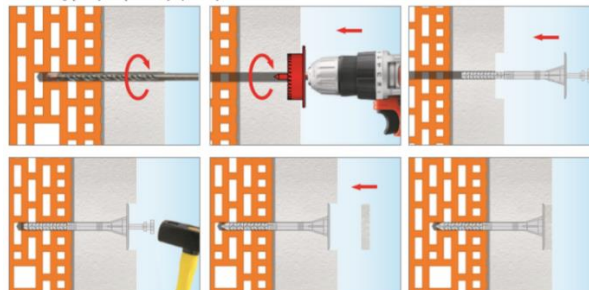
Section 2. METHOD OF INSTALLATION

1. Before installation identify the substrate and select suitable fasteners
2. Select adequate length of the fastener so that expansion zone is in the construction material of the wall
3. Minimum length of the fastener is: $L_d = t_{fix} + t_{tol} + h_{eff}$, where: t_{fix} - thickness of insulation material to be fixed, t_{tol} - thickness of substrates (adhesive + existing plaster), h_{eff} - depth of fastener anchorage in the substrate (given in the sheet and in Technical Approval)
4. Before installation prepare the substrate as recommended by ETICS manufacturer
5. Fix thermal insulation panels correctly using an adhesive
6. Diameter of drilled holes should match diameter of the fasteners used
7. Drilled holes in substrates of solid materials should be deeper by min. 10 mm compared to the fastener anchorage depth
8. Clean the holes drilled in solid materials of drillings with a back and forth motion of the drill at a reduced speed, repeating it four times
9. Drill the holes in substrates of hollowed bricks without impact as this will cause breakage of inner walls of the substrate and reduce pull-out resistance of fasteners
10. **Number of fasteners per 1m² should be defined in thermal insulation design.** Recommended number of fasteners: FOR POLYSTYRENE:
 - up to the height of 15m from the ground, as minimum use 6pcs/m² in the middle area of a wall and 8pcs/m² in a corner area
 - above 15m from the ground, as minimum use 8pcs/m² in the middle area of a wall and 10pcs/m² in a corner area;
 FOR WOOL number of fasteners should be increased in each area by 2pcs/m²
Recommendation shall not replace thermal insulation design!!
11. Fix the fasteners so that the installation spot matches the area where adhesive is placed on a thermal insulation panel
12. Embed the fastener body so that the fastener washer is faced with thermal insulation material
13. Then drive the fastener pin to firmly attach the fastener
14. Fasteners can be installed in cut holes using plastic cutter for cutting holes in polystyrene **WK-FT** or mineral wool **WK-FM** – so-called immersed mount
15. After mounting the connector, mask the place of attachment with a **KS/KSG** polystyrene disc or **EDMW** mineral wool disc (recessed installation)

• Montaż widoczny



• Montaż zagłębiony z krążkiem styropianowym



PRODUCT DATA SHEET – LFMG-10

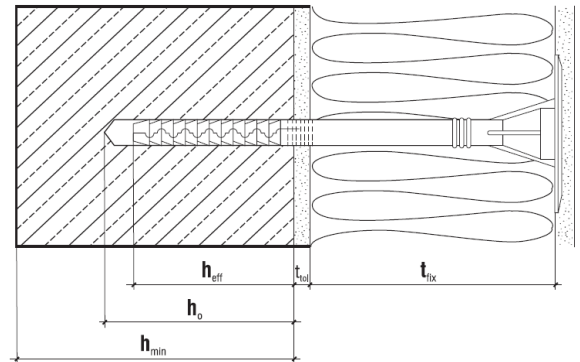
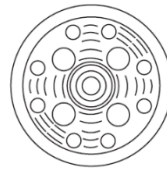
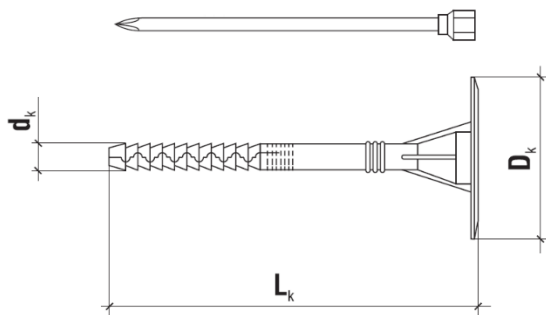
Section 3. TECHNICAL DATA

TECHNICAL PARAMETERS		
Parameter	Unit	Value
Plug diameter	d_k [mm]	10
Plate diameter	D_k [mm]	60
Anchorage depth	h_{eff} [mm]	70
Drilled hole depth	h_o [mm]	80
Thermal conductivity for insulation thickness 80 mm for insulation thickness 150 mm for insulation thickness 300 mm	χ [W/K]	0,004/0,002* 0,004/0,003* 0,003/0,002*
Plate stiffness	S [kN/mm]	0,4
Use categories	[-]	A B C D E
Plug material	[-]	PE
Pin material	[-]	Galvanized steel, head sealed in PA
European Technical Assessment	[-]	ETA-17/0450

*for immersed mount

STRENGTH PARAMETERS			
Substrate category	Substrate type	Density [kg/dm ³]	Characteristic pull-out resistance N_{Rk} [kN]
A	Concrete C12/15	$\geq 2,25$	0,65
A	Concrete C16/20 ÷ C50/60	$\geq 2,30$	0,90
B	Solid clay brick	$\geq 2,00$	0,75
B	Calcium silica solid brick	$\geq 2,00$	0,75
C	Calcium silicate hollow blocks	$\geq 1,60$	0,50
C	Perforated brick	$\geq 1,20$	0,40
C	Porotherm 25	$\geq 0,80$	0,40
D	Lightweight concrete blocks	$\geq 0,88$	0,75
E	Autoclaved aerated concrete AAC2	$\geq 0,35$	0,40
E	Autoclaved aerated concrete AAC7	$\geq 0,65$	0,50

Partial safety factor $\gamma_M=2$ in absence of regulations



SELECTION TABLE						
Product code	Fastener diameter and length ($d_k \times L_k$) [mm]	Insulation material thickness t_{fix} [mm]				Number of pieces in a box [pcs]
		New buildings (t_{tot} adhesive layer of 10mm)		Old buildings (t_{tot} adhesive layer of 10mm + 20mm of old plaster)		
		Without cutter	With cutter	Without cutter	With cutter	
LFMG-10140	10x140	60	80	40	60	200
LFMG-10160	10x160	80	100	60	80	200
LFMG-10180	10x180	100	120	80	100	200
LFMG-10200	10x200	120	140	100	120	200
LFMG-10220	10x220	140	160	120	140	100
LFMG-10240	10x240	160	180	140	160	100
LFMG-10260	10x260	180	200	160	180	100
LFMG-10300	10x300	220	240	200	220	100

Section 4. REMARKS

- All previous versions of this Product Data Sheet shall cease to be valid
- Data given in this Product Data Sheet is in accordance with current knowledge and published in good faith. KLIMAS Sp. z o.o. is not responsible for correctness and quality of the fixing if recommendations regarding method of use and installation are not followed.